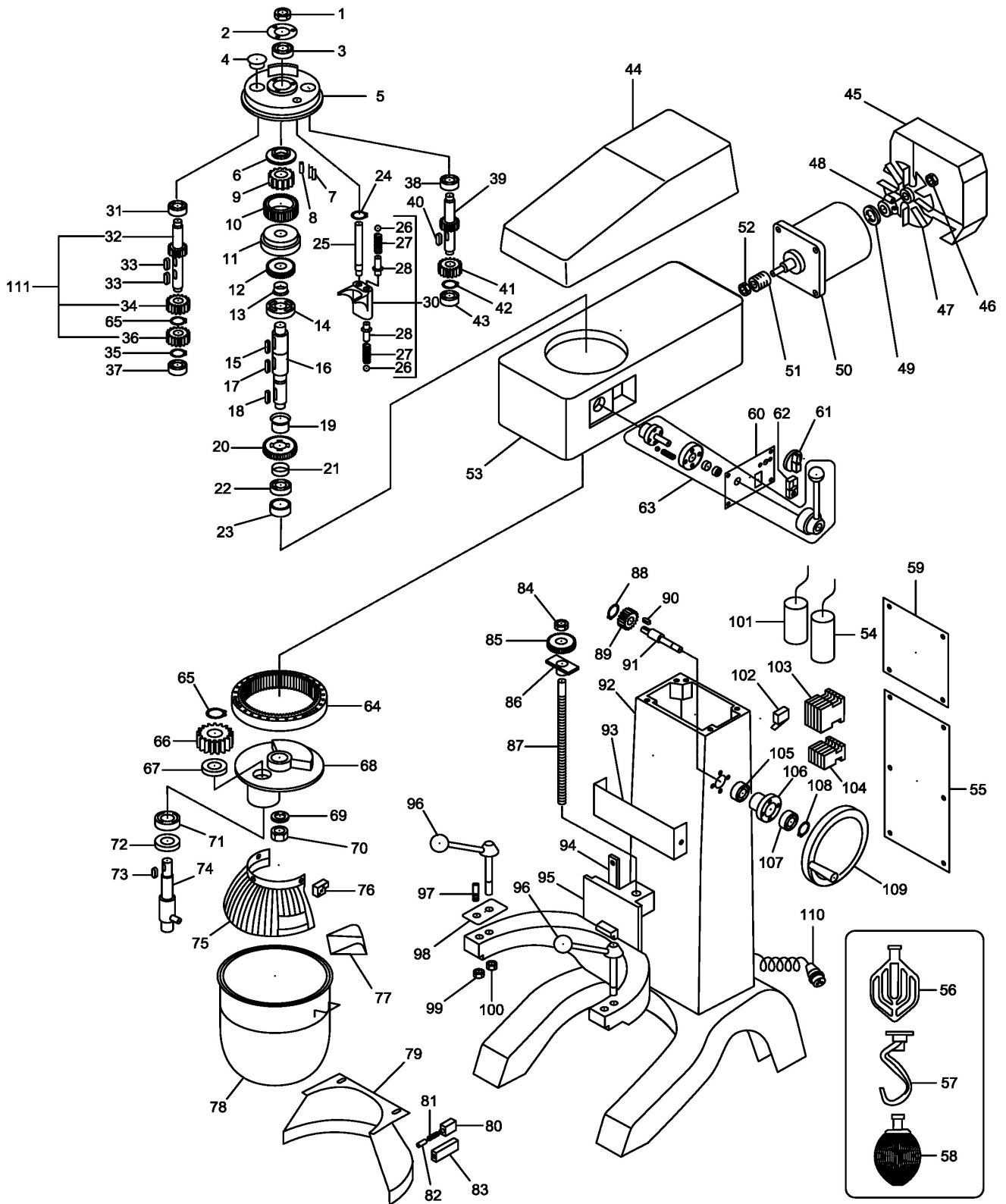


Pos. Ref.	Codice Code	Caratteristiche Features	Descrizione Description	
3	SL2502	6204 2RS - (IP30-40F)	Cuscinetto	Bearing
3	CO2896	6207 2RS - (IP60-80F)	Cuscinetto	Bearing
6	CO0562	(IP30-40F)	Distanziale	Spacer
6	CO0563	(IP60-80F)	Distanziale	Spacer
7	CO0564	(IP30-40F)	Molla	Spring
7	CO0565	(IP60-80F)	Molla	Spring
8	CO0568	(IP30-40F)	Perno	Pivot
8	CO0569	(IP60-80F)	Perno	Pivot
9	CO0566	(IP30-40F)	Inserto	Insert
9	CO0567	(IP60-80F)	Inserto	Insert
10	CO0570	(IP30-40F)	Ingranaggio	Gear
10	CO0571	(IP60-80F)	Ingranaggio	Gear
11	CO0572	(IP30-40F)	Distanziale	Spacer
11	CO0573	(IP60-80F)	Distanziale	Spacer
12	CO0576	(IP30-40F)	Ingranaggio	Gear
12	CO0577	(IP60-80F)	Ingranaggio	Gear
13	CO0574	(IP30-40F)	Boccola	Bush
13	CO0575	(IP60-80F)	Boccola	Bush
14	CO0578	(IP30-40F)	Spessore	Shim
14	CO0579	(IP60-80F)	Spessore	Shim
15	SL3899	6x6x40 - (IP30-40F)	Linguetta	Key
15	SL3905	10x10x50 - (IP60-80F)	Linguetta	Key
16	CO0580	(IP30-40F)	Albero	Shaft
16	CO0581	(IP60-80F)	Albero	Shaft
17	SL3908	3/16"x3/16"x30 - (IP30-40F)	Linguetta	Key
17	SL3904	10x10x40 - (IP60-80F)	Linguetta	Key
18	SL3899	6x6x40 - (IP30-40F)	Linguetta	Key
18	SL3906	10x10x90 - (IP60-80F)	Linguetta	Key
19	CO0582	(IP30-40F)	Boccola	Bush
19	CO0583	(IP60-80F)	Boccola	Bush
20	CO0586	(IP30-40F)	Ingranaggio	Gear
20	CO0587	(IP60-80F)	Ingranaggio	Gear
21	CO0584	(IP30-40F)	Boccola	Bush
21	CO0585	(IP60-80F)	Boccola	Bush
22	SL2735	6206 2RS - (IP30-40F)	Cuscinetto	Bearing
22	SL3912	5211A 2RS - (IP60-80F)	Cuscinetto	Bearing
23	CO4979	ø40xø62x12 - (IP30-40F)	Paraolio	Oil seal
23	SL3917	ø55xø80x12 - (IP60-80F)	Paraolio	Oil seal
24	SL3896	ø19 - (IP60-80F)	Seeger	Seeger
30	CO0588	(IP30-40F)	Forcella	Fork
30	CO0589	(IP60-80F)	Forcella	Fork
31	SL0131	6203 2RS - (IP30-40F)	Cuscinetto	Bearing
31	SL0233	6205 2RS - (IP60-80F)	Cuscinetto	Bearing
32	CO0591	(IP60-80F)	Albero	Shaft
33	SL3902	8x8x25 - (IP60-80F)	Linguetta	Key
34	CO0593	(IP60-80F)	Ingranaggio	Gear
35	SL3898	ø35 - (IP60-80F)	Seeger	Seeger
36	CO0595	(IP60-80F)	Ingranaggio	Gear
37	SL0131	6203 2RS - (IP30-40F)	Cuscinetto	Bearing
37	SL0233	6205 2RS - (IP60-80F)	Cuscinetto	Bearing
38	SL2472	6202 2RS - (IP30-40F)	Cuscinetto	Bearing
38	SL0233	6205 2RS - (IP60-80F)	Cuscinetto	Bearing
39	CO0596	(IP30-40F)	Albero	Shaft
39	CO0597	(IP60-80F)	Albero	Shaft
40	SL3909	1/4"x1/4"x20 - (IP30-40F)	Linguetta	Key
40	SL3907	8x7x28 - (IP60-80F)	Linguetta	Key
41	CO0598	(IP30-40F)	Ingranaggio	Gear
41	CO0599	(IP60-80F)	Ingranaggio	Gear
42	SL3896	ø19 - (IP30-40F)	Seeger	Seeger
42	SL3720	ø30 - (IP60-80F)	Seeger	Seeger
43	SL2472	6202 2RS - (IP30-40F)	Cuscinetto	Bearing
43	SL0233	6205 2RS - (IP60-80F)	Cuscinetto	Bearing
44	CO0600	(IP30-40F)	Coperchio	Cover
44	CO0601	(IP60-80F)	Coperchio	Cover
45	CO0602	(IP30-40F)	Coperchio	Cover
45	CO0603	(IP60-80F)	Coperchio	Cover
50	CO0604	230V/1Ph/50Hz (IP30F)	Motore	Motor
50	CO0605	400V/3Ph/50Hz (IP30F)	Motore	Motor
50	CO0606	400V/3Ph/50Hz (IP40F)	Motore	Motor
50	CO0607	400V/3Ph/50Hz (IP60F)	Motore	Motor
50	CO0608	400V/3Ph/50Hz (IP80F)	Motore	Motor

(*) : fuori produzione / out of production

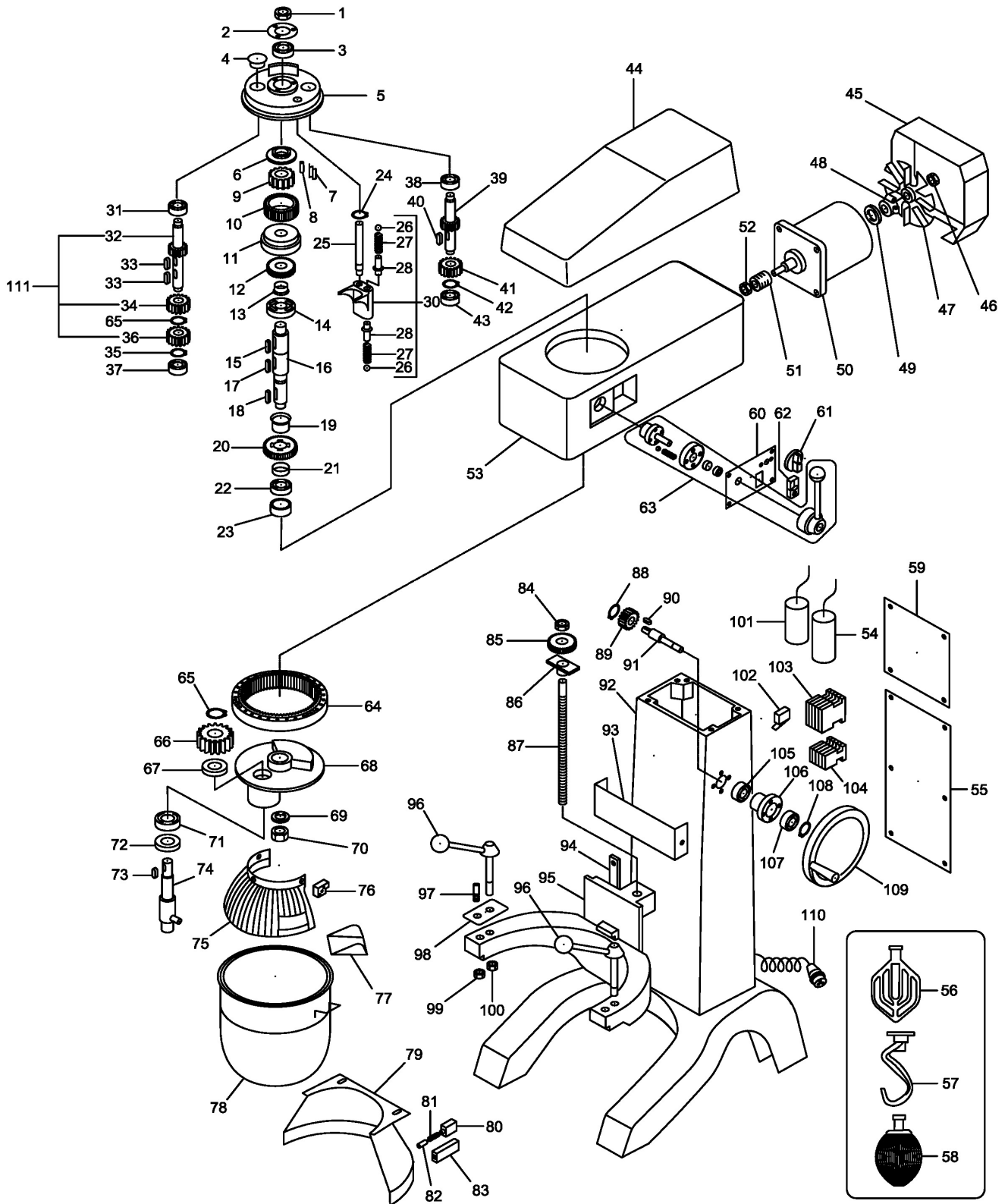
● : ricambio consigliato / spare part suggested



Pos. Ref.	Codice Code	Caratteristiche Features	Descrizione Description
51	CO0609	(IP30-40F)	Puleggia Pulley
51	CO0610	(IP60-80F)	Puleggia Pulley
54	CO0644	400µF (IP30F)	Condensatore Condenser
56	ACRF30BR	(IP30F)	Spatola Spatula
56	ACRF40BR	(IP40F)	Spatola Spatula
56	ACRF60BR	(IP60F)	Spatola Spatula
56	ACRF80BR	(IP80F)	Spatola Spatula
57	ACRF30HK	(IP30F)	Uncino Hook
57	ACRF40HK	(IP40F)	Uncino Hook
57	ACRF60HK	(IP60F)	Uncino Hook
57	ACRF80HK	(IP80F)	Uncino Hook
58	ACRF30WP	(IP30F)	Frusta Whisk
58	ACRF40WP	(IP40F)	Frusta Whisk
58	ACRF60WP	(IP60F)	Frusta Whisk
58	ACRF80WP	(IP80F)	Frusta Whisk
61	CO0611	(IP60-80F)	Timer Timer
62	SA1052	●	Pulsante Push button
63	CO0612	Assembly (IP30-40F)	Leva Lever
63	CO0613	Assembly (IP60-80F)	Leva Lever
64	CO0614	(IP30-40F)	Cremagliera Rack
64	CO0615	(IP60-80F)	Cremagliera Rack
65	SL3896	ø19 - (IP30-40F)	Seeger Seeger
65	SL3720	ø30 - (IP60-80F)	Seeger Seeger
66	CO0616	(IP30-40F)	Ingranaggio Gear
66	CO0617	(IP60-80F)	Ingranaggio Gear
67	SL2502	6204 2RS - (IP30-40F)	Cuscinetto Bearing
67	CO2896	6207 2RS - (IP60-80F)	Cuscinetto Bearing
68	CO0618	(IP30-40F)	Coperchio Cover
68	CO0619	(IP60-80F)	Coperchio Cover
71	SL0233	6205 2RS - (IP30-40F)	Cuscinetto Bearing
71	SL3913	6208 2RS - (IP60-80F)	Cuscinetto Bearing
72	SL3916	ø28xø52x6 - (IP30-40F)	Paraolio Oil seal
72	SL3918	ø40xø80x12 - (IP60-80F)	Paraolio Oil seal
73	SL3909	1/4"x1/4"x20 - (IP30-40F)	Linguetta Key
73	SL3903	10x10x35 - (IP60-80F)	Linguetta Key
74	CO0620	(IP30-40F)	Albero Shaft
74	CO0621	(IP60-80F)	Albero Shaft
75	CO0622	(IP30F)	Coperchio Cover
75	CO0623	(IP40F)	Coperchio Cover
75	CO0624	(IP60F)	Coperchio Cover
75	CO0625	(IP80F)	Coperchio Cover
77	CO0626	(IP30-40F)	Scivolo Chute
77	CO0627	(IP60-80F)	Scivolo Chute
78	ACRF30BL	(IP30F)	Pentola Pan
78	ACRF40BL	(IP40F)	Pentola Pan
78	ACRF60BL	(IP60F)	Pentola Pan
78	ACRF80BL	(IP80F)	Pentola Pan
79	CO0628	(IP30F)	Protezione Protection
79	CO0629	(IP40F)	Protezione Protection
79	CO0630	(IP60F)	Protezione Protection
79	CO0631	(IP80F)	Protezione Protection
80	CO0514	●	Microinterruttore Microswitch
85	CO0632	(IP30-40F)	Ingranaggio Gear
85	CO0633	(IP60-80F)	Ingranaggio Gear
87	CO0634	(IP30-40F)	Vite senza fine Endless screw
87	CO0635	(IP60-80F)	Vite senza fine Endless screw
88	SL3896	ø19	Seeger Seeger
89	CO0636	(IP30-40F)	Ingranaggio Gear
89	CO0637	(IP60-80F)	Ingranaggio Gear
90	SL0010	5x5x10	Linguetta Key
91	CO0638	(IP30-40F)	Perno Pivot
91	CO0639	(IP60-80F)	Perno Pivot
96	CO0642	(IP30-40F)	Coppia leve Pair of levers
96	CO0643	(IP60-80F)	Coppia leve Pair of levers
101	CO0526	30µF (IP30F)	Condensatore Condenser
102	CO0527	●	Microinterruttore Microswitch
103	32Z4840	● (IP30-40F)	Teleruttore Remote control switch
103	SL3029	● (IP60-80F)	Teleruttore Remote control switch
104	CO0554	230V/1Ph/50Hz (IP30F)	Termico Thermic
104	SL2886	400V/3Ph/50Hz (IP30-40F)	Termico Thermic
104	SL3579	400V/3Ph/50Hz (IP60-80F)	Termico Thermic
105	SL3914	HK2020 - (IP60-80F)	Cuscinetto Bearing

(*) : fuori produzione / out of production

● : ricambio consigliato / spare part suggested



Pos. Ref.	Codice Code	Caratteristiche Features	Descrizione Description	
107	SL3914	HK2020 - (IP60-80F)	Cuscinetto	Bearing
108	SL0075	∅20	Seeger	Seeger
109	CO0640	(IP30-40F)	Volantino	Handwheel
109	CO0641	(IP60-80F)	Volantino	Handwheel
111	CO0590	(IP30-40F)	Albero	Shaft

(*) : fuori produzione / out of production

● : ricambio consigliato / spare part suggested